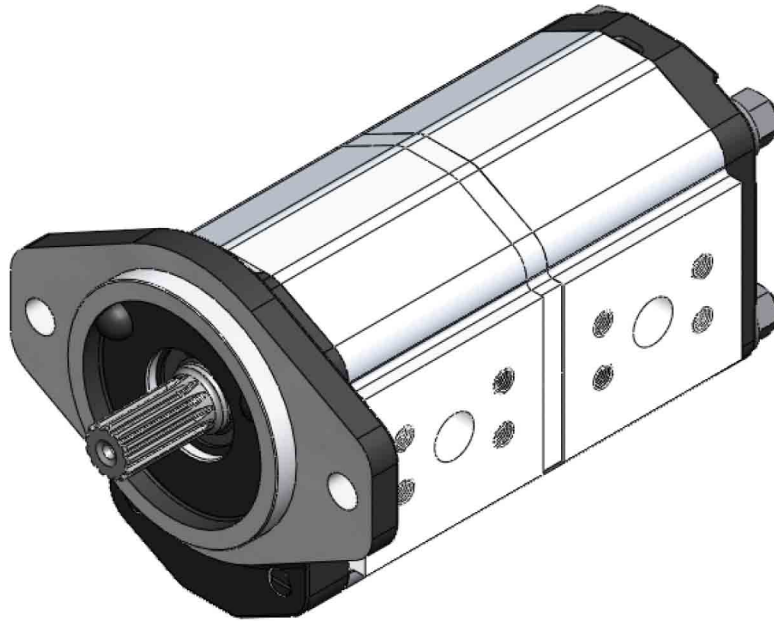


# 136 系列

## 齿轮泵及马达 PUMPS AND MOTORS

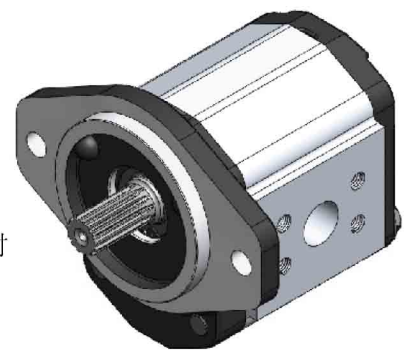


### 高压中排量重型铝合金齿轮泵及马达

### HIGH PRESSURE MIDDLE DISPLACEMENT HEAVY DUTY ALUMINIUM ALLOY PUMPS AND MOTORS

#### 特点

- ❑ 本系列高压齿轮泵最高压力可达30MPa
- ❑ 排量从10ml/r-52ml/r
- ❑ 结构简单、重量轻、使用稳定可靠和寿命长的特点
- ❑ 高强度合金钢齿轮轴提高了泵的压力级别
- ❑ 多齿数齿轮设计有效降低了泵的噪音
- ❑ 使用特殊结构的浮动轴套和高稳定性DP31滑动轴承使泵在高压下工作时仍然具有高的容积效率
- ❑ 泵和马达均有多种联接形式，联接尺寸符合SAE标准
- ❑ 可按用户要求设计成单联泵或多联泵



#### FEATURES

- ❑ High pressure gear pump with maximum pressure up to 4350 PSI
- ❑ Displacements from 0.61 cubic inch to 3.17 cubic inch
- ❑ Simple structure, small size, durable and longer life
- ❑ High strength alloy steel gear shafts greatly advanced the operating pressure grade
- ❑ The design of multi-teeth gears decreased the pump noise
- ❑ Special structured floating bush and high quality DP31 self-lubricating bearing provide durable service & high pump efficiency under high pressure
- ❑ A wide range of porting, mounting and shaft options available for SAE and European standards
- ❑ Customized single and multiple unit options available

性能 PERFORMANCE

齿轮泵 Gear Pumps

Displacement 排量	Rated Pressure 额定压力	Max Pressure 最高压力	Working Speed RPM 工作转速 转/分		Input Power 输入功率	Input Torque 输入扭矩
			Max 最高	Min 最低		
ml/rev	MPa	MPa			KW	N.M
10	25	30	3400	600	10.040	44.232
12	25	30	3400	600	12.048	53.078
14	25	30	3400	600	14.056	61.924
16	25	30	3400	600	16.064	70.771
19	25	30	3300	600	19.076	84.041
23	25	30	3300	600	23.092	101.733
25	25	30	3100	600	25.100	110.580
28	25	30	3100	600	28.112	123.849
33	25	30	3000	600	33.132	145.966
35	25	27.5	3000	600	35.140	154.812
38	25	27.5	2800	600	38.152	168.082
44	21	23	2800	600	37.108	163.481
48	20	22	2700	600	38.554	169.851
52	20	22	2700	600	41.767	184.005

齿轮马达 Gear Motors

Displacement 排量	Rated Pressure 额定压力	Max Pressure 最高压力	Working Speed RPM 工作转速 转/分		Output Power 输出功率	Output Torque 输出扭矩
			Max 最高	Min 最低		
ml/rev	MPa	MPa			KW	N.M
10	25	30	3400	600	6.667	35.828
12	25	30	3400	600	8.000	42.994
14	25	30	3400	600	9.333	50.159
16	25	30	3400	600	10.667	57.325
19	25	30	3300	600	12.667	68.073
23	25	30	3300	600	15.333	82.404
25	25	30	3100	600	16.667	89.570
28	25	30	3100	600	18.667	100.318
33	25	30	3000	600	22.000	118.232
35	25	27.5	3000	600	23.333	125.398
38	25	27.5	2800	600	25.333	136.146
44	21	23	2800	600	24.640	132.420
48	20	22	2700	600	25.600	137.580
52	20	22	2700	600	27.733	149.045