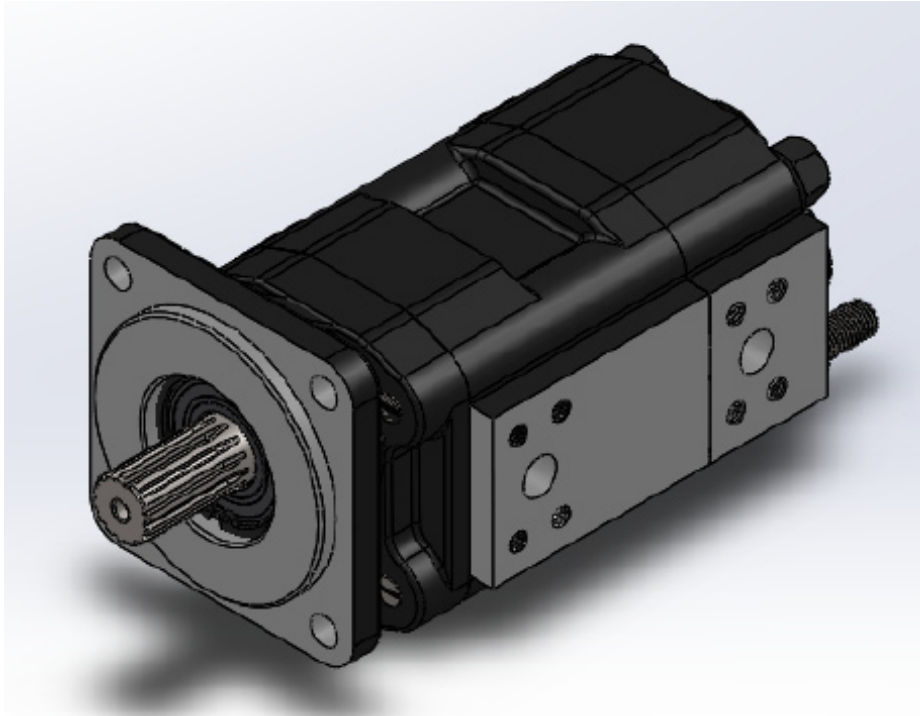


PERMCO

T2.5 TERRA

高压滑动轴承齿轮泵齿轮马达

HIGH PRESSURE SLEEVE BUSHING PUMPS AND MOTORS



齿轮泵及齿轮马达特点

GEAR PUMP AND MOTOR FEATURES

特点

- 本系列最高压力可达25MPa
- 排量从18.4至110.1ml/r
- 两体式设计，结构更加紧凑
- 行业领先的产品性能，提供极高可靠性和更长工作寿命
- 等壁厚，等强度，质量轻，噪音低，采用最优压紧比，保证齿轮泵的高效率
- 国际化先进试验及检验标准，严格控制产品质量，100%出厂检验
- 泵和马达均有多种联接形式，联接尺寸符合SAE标准
- 可按用户要求设计成单联泵和多联泵

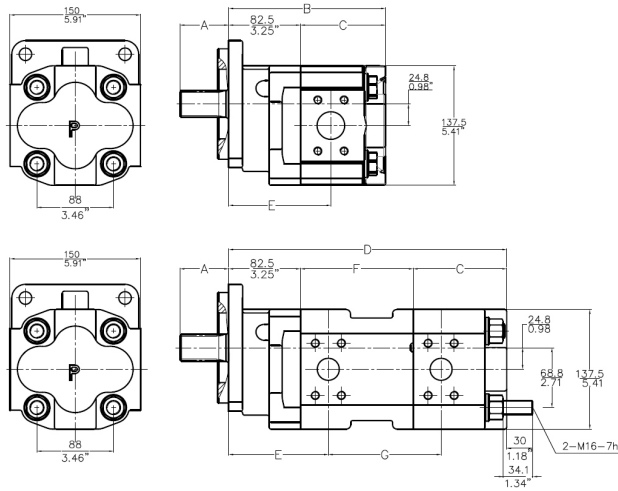
FEATURES

- Maximum pressure up to 3625 PSI
- Cubic inch displacement from 1.12 through 6.72
- Split in two construction, more compact structure
- Unique and patented structural design plan, leads to lower noise below industry standards
- Such as wall thickness, such as intensity, light quality, low noise, using the optimal compression ratio, ensure high efficiency of the gear pump
- Strictly check product quality with international advanced test standard inspection standard 100% factory inspection
- A wide range of porting, mounting and shaft options available for SAE and European standards
- Customized single and multiple unit options available



The Sensible Choice

T2.5系列尺寸数据 (mm/in) DIMENSIONAL DATA (mm/in)



- A. SAE "C" shaft shown, other shafts available
图示为SAE "C"轴伸, 轴伸型式有多种选择
- B. 6.10" plus gear width
155 mm 加齿轮宽度
- C. 2.85" plus gear width
72.5 mm 加齿轮宽度
- D. 9.83" plus total gear width
249.8 mm 加总齿轮宽度
- E. 3.25" plus oil port position
82.5 mm 加油口位置尺寸
- F. 3.73" plus gear width
94.8 mm 加齿轮宽度

性能 PERFORMANCE

齿轮泵 Gear Pumps

Displacement 排量 ml/rev	Gear Width 齿宽 Inch 英寸	Rated Pressure 额定压力 MPa	Max Pressure 最高压力 MPa	Working Speed RPM 工作转速 转/分		Input Power 输入功率 KW
				Max 最高	Min 最低	
18.4	1/2	20	25	2500	600	17.0
27.5	3/4	20	25	2500	600	25.5
32.1	7/8	20	25	2500	600	29.7
36.7	1	20	25	2500	600	34.0
41.3	1-1/8	20	25	2500	600	38.2
45.9	1-1/4	20	25	2500	600	42.5
50.5	1-3/8	20	25	2500	600	46.7
55.1	1-1/2	20	25	2500	600	51.0
59.7	1-5/8	20	25	2500	600	55.2
64.2	1-3/4	20	25	2500	600	59.5
68.8	1-7/8	20	25	2500	600	63.7
73.4	2	20	25	2500	600	68.0
78.0	2-1/8	20	25	2500	600	72.2
82.6	2-1/4	20	25	2500	600	76.5
87.2	2-3/8	20	25	2500	600	80.7
91.8	2-1/2	20	25	2500	600	85.0
100.9	2-3/4	20	25	2500	600	93.5
110.1	3	20	25	2500	600	101.9

齿轮马达 Gear Motors

Displacement 排量 ml/rev	Gear Width 齿宽 Inch 英寸	Rated Pressure 额定压力 MPa	Max Pressure 最高压力 MPa	Working Speed RPM 工作转速 转/分		Output Torque 输出扭矩 N-m
				Max 最高	Min 最低	
18.4	1/2	20	25	2500	600	52.6
27.5	3/4	20	25	2500	600	78.9
32.1	7/8	20	25	2500	600	92.1
36.7	1	20	25	2500	600	105.2
41.3	1-1/8	20	25	2500	600	118.4
45.9	1-1/4	20	25	2500	600	131.5
50.5	1-3/8	20	25	2500	600	144.7
55.1	1-1/2	20	25	2500	600	157.8
59.7	1-5/8	20	25	2500	600	171.0
64.2	1-3/4	20	25	2500	600	184.1
68.8	1-7/8	20	25	2500	600	197.3
73.4	2	20	25	2500	600	210.4
78.0	2-1/8	20	25	2500	600	223.6
82.6	2-1/4	20	25	2500	600	236.7
87.2	2-3/8	20	25	2500	600	249.9
91.8	2-1/2	20	25	2500	600	263.0
100.9	2-3/4	20	25	2500	600	289.3
110.1	3	20	25	2500	600	315.6

Permco USA
1500 Frost Road
P. O. Box 2068
Streetsboro, Ohio 44241
www.permco.com
E-mail: info@permco.com
Copyright © 2023

Permco (TianJin) Hydraulic Inc., Ltd.
泊姆克(天津)液压有限公司
#151 Jingsi Road, Airport Economic Area
空港经济区经四路151号
TianJin, China PC: 300308
中国天津 邮编300308

Tel: 022-25761959
Fax: 022-25767035, 25761939
www.permcotj.com
E-mail: permco@permcotj.com
info: technic@permcotj.com

Permco TianJin Fluidpower Mfg. Co. Ltd.
泊姆克天津流体动力制造有限公司
Fenghua Industrial Park 9th Avenue
第九大街丰华工业园
TEDA, China PC: 300457
中国天津经济技术开发区 邮编300457