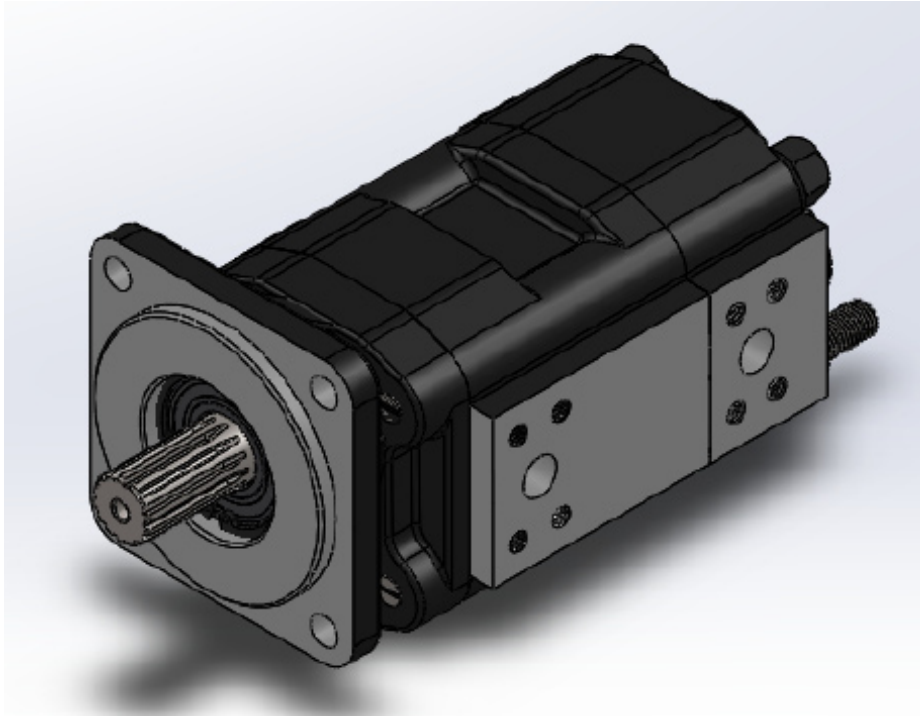


# PERMCO

# T2.5 VENTUS

高压滑动轴承齿轮泵齿轮马达

HIGH PRESSURE SLEEVE BUSHING PUMPS AND MOTORS



齿轮泵及齿轮马达特点

GEAR PUMP AND MOTOR FEATURES

### 特点

- 本系列最高压力可达33MPa
- 排量从36.7至82.6ml/r
- 两体式设计，结构更加紧凑
- 行业领先的产品性能，提供极高可靠性和更长工作寿命
- 等壁厚，等强度，质量轻，噪音低，采用最优压紧比，保证齿轮泵的高效率
- 国际化先进试验及检验标准，严格控制产品质量，100%出厂检验
- 泵和马达均有多种联接形式，联接尺寸符合SAE标准
- 可按用户要求设计成单联泵和多联泵

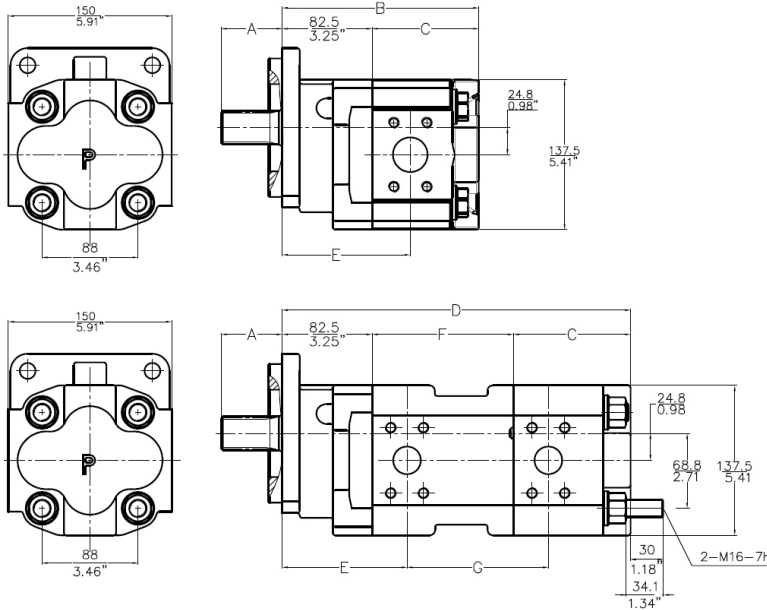
### FEATURES

- Maximum pressure up to 4785 PSI
- Cubic inch displacement from 2.24 through 5.04
- Split in two construction, more compact structure
- Unique and patented structural design plan, leads to lower noise below industry standards
- Such as wall thickness, such as intensity, light quality, low noise, using the optimal compression ratio, ensure high efficiency of the gear pump
- Strictly check product quality with international advanced test standard inspection standard 100% factory inspection
- A wide range of porting, mounting and shaft options available for SAE and European standards
- Customized single and multiple unit options available



## The Sensible Choice

# T2.5系列尺寸数据 (mm/in) DIMENSIONAL DATA (mm/in)



- A. SAE "C" shaft shown, other shafts available  
图示为SAE "C"轴伸, 轴伸型式有多种选择
- B. 6.10" plus gear width  
155 mm 加齿轮宽度
- C. 2.85" plus gear width  
72.5 mm 加齿轮宽度
- D. 9.83" plus total gear width  
249.8 mm 加总齿轮宽度
- E. 3.25" plus oil port position  
82.5 mm 加油口位置尺寸
- F. 3.73" plus gear width  
94.8 mm 加齿轮宽度

## 性能 PERFORMANCE

### 齿轮泵 Gear Pumps

| Displacement<br>排量<br>ml/rev | Gear Width<br>齿宽<br>Inch<br>英寸 | Rated Pressure<br>额定压力<br>MPa | Max Pressure<br>最高压力<br>MPa | Working Speed<br>RPM<br>工作转速 转/分 |           | Input Power<br>输入功率<br>KW |
|------------------------------|--------------------------------|-------------------------------|-----------------------------|----------------------------------|-----------|---------------------------|
|                              |                                |                               |                             | Max<br>最高                        | Min<br>最低 |                           |
| 36.7                         | 1                              | 28                            | 33                          | 2500                             | 600       | 47.6                      |
| 41.3                         | 1-1/8                          | 28                            | 33                          | 2500                             | 600       | 53.5                      |
| 45.9                         | 1-1/4                          | 28                            | 33                          | 2500                             | 600       | 59.5                      |
| 50.5                         | 1-3/8                          | 28                            | 33                          | 2500                             | 600       | 65.4                      |
| 55.1                         | 1-1/2                          | 28                            | 33                          | 2500                             | 600       | 71.4                      |
| 59.7                         | 1-5/8                          | 28                            | 33                          | 2500                             | 600       | 77.3                      |
| 64.2                         | 1-3/4                          | 28                            | 33                          | 2500                             | 600       | 83.3                      |
| 68.8                         | 1-7/8                          | 28                            | 33                          | 2500                             | 600       | 89.2                      |
| 73.4                         | 2                              | 28                            | 33                          | 2500                             | 600       | 95.2                      |
| 78.0                         | 2-1/8                          | 28                            | 33                          | 2500                             | 600       | 101.1                     |
| 82.6                         | 2-1/4                          | 28                            | 33                          | 2500                             | 600       | 107.1                     |

### 齿轮马达 Gear Motors

| Displacement<br>排量<br>ml/rev | Gear Width<br>齿宽<br>Inch<br>英寸 | Rated Pressure<br>额定压力<br>MPa | Max Pressure<br>最高压力<br>MPa | Working Speed<br>RPM<br>工作转速 转/分 |           | Output Torque<br>输出扭矩<br>N-m |
|------------------------------|--------------------------------|-------------------------------|-----------------------------|----------------------------------|-----------|------------------------------|
|                              |                                |                               |                             | Max<br>最高                        | Min<br>最低 |                              |
| 36.7                         | 1                              | 28                            | 33                          | 2500                             | 600       | 147.3                        |
| 41.3                         | 1-1/8                          | 28                            | 33                          | 2500                             | 600       | 165.7                        |
| 45.9                         | 1-1/4                          | 28                            | 33                          | 2500                             | 600       | 184.1                        |
| 50.5                         | 1-3/8                          | 28                            | 33                          | 2500                             | 600       | 202.5                        |
| 55.1                         | 1-1/2                          | 28                            | 33                          | 2500                             | 600       | 221.0                        |
| 59.7                         | 1-5/8                          | 28                            | 33                          | 2500                             | 600       | 239.4                        |
| 64.2                         | 1-3/4                          | 28                            | 33                          | 2500                             | 600       | 257.8                        |
| 68.8                         | 1-7/8                          | 28                            | 33                          | 2500                             | 600       | 276.2                        |
| 73.4                         | 2                              | 28                            | 33                          | 2500                             | 600       | 294.6                        |
| 78.0                         | 2-1/8                          | 28                            | 33                          | 2500                             | 600       | 313.0                        |
| 82.6                         | 2-1/4                          | 28                            | 33                          | 2500                             | 600       | 331.4                        |

Permco USA  
1500 Frost Road  
P. O. Box 2068  
Streetsboro, Ohio 44241  
www.permco.com  
E-mail: info@permco.com  
Copyright © 2023

Permco (TianJin) Hydraulic Inc., Ltd.  
泊姆克(天津)液压有限公司  
#151 Jingsi Road, Airport Economic Area  
空港经济区经四路151号  
TianJin, China PC: 300308  
中国天津 邮编300308

Tel: 022-25761959  
Fax: 022-25767035, 25761939  
www.permcotj.com  
E-mail: permco@permcotj.com  
info: technic@permcotj.com

Permco TianJin Fluidpower Mfg. Co. Ltd.  
泊姆克天津流体动力制造有限公司  
Fenghua Industrial Park 9th Avenue  
第九大街丰华工业园  
TEDA, China PC: 300457  
中国天津经济技术开发区 邮编300457