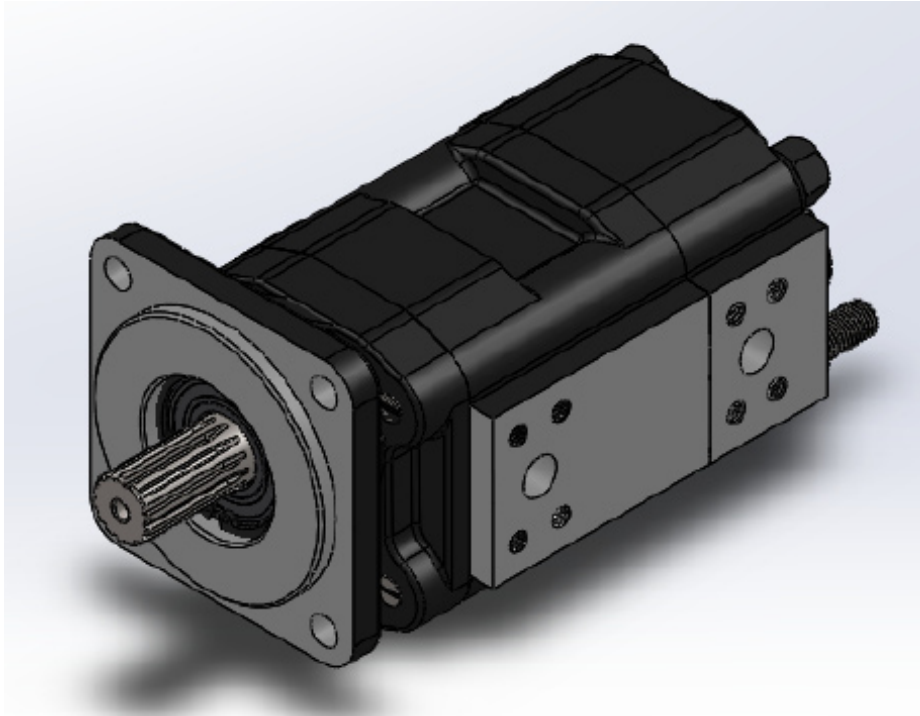


# PERMCO

# T2.5 AQUA

高压滑动轴承齿轮泵齿轮马达

HIGH PRESSURE SLEEVE BUSHING PUMPS AND MOTORS



齿轮泵及齿轮马达特点

GEAR PUMP AND MOTOR FEATURES

### 特点

- 本系列最高压力可达28MPa
- 排量从27.5至100.9ml/r
- 两体式设计, 结构更加紧凑
- 行业领先的产品性能, 提供极高可靠性和更长工作寿命
- 等壁厚, 等强度, 质量轻, 噪音低, 采用最优压紧比, 保证齿轮泵的高效率
- 国际化先进试验及检验标准, 严格控制产品质量, 100%出厂检验
- 泵和马达均有多种联接形式, 联接尺寸符合SAE标准
- 可按用户要求设计成单联泵和多联泵

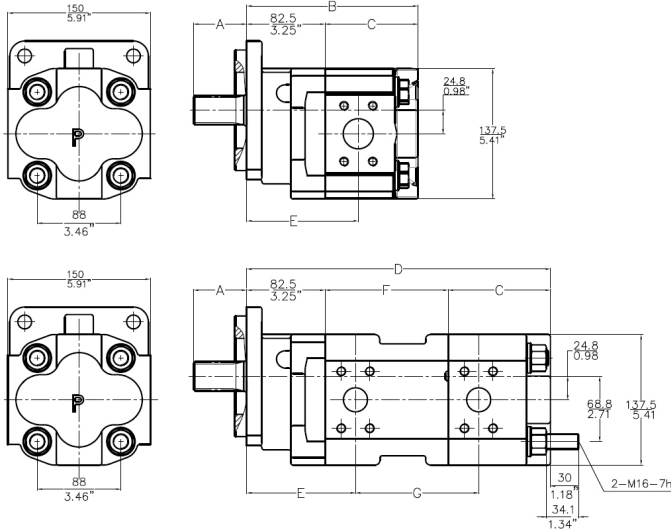
### FEATURES

- Maximum pressure up to 4060 PSI
- Cubic inch displacement from 1.68 through 6.16
- Split in two construction, more compact structure
- Unique and patented structural design plan, leads to lower noise below industry standards
- Such as wall thickness, such as intensity, light quality, low noise, using the optimal compression ratio, ensure high efficiency of the gear pump
- Strictly check product quality with international advanced test standard inspection standard 100% factory inspection
- A wide range of porting, mounting and shaft options available for SAE and European standards
- Customized single and multiple unit options available



## The Sensible Choice

# T2.5系列尺寸数据 (mm/in) DIMENSIONAL DATA (mm/in)



- A. SAE "C" shaft shown, other shafts available  
图示为SAE "C"轴伸, 轴伸型式有多种选择
- B. 6.10" plus gear width  
155 mm 加齿轮宽度
- C. 2.85" plus gear width  
72.5 mm 加齿轮宽度
- D. 9.83" plus total gear width  
249.8 mm 加总齿轮宽度
- E. 3.25" plus oil port position  
82.5 mm 加油口位置尺寸
- F. 3.73" plus gear width  
94.8 mm 加齿轮宽度

## 性能 PERFORMANCE

## 齿轮泵 Gear Pumps

Displacement 排量 ml/rev	Gear Width 齿宽 Inch 英寸	Rated Pressure 额定压力 MPa	Max Pressure 最高压力 MPa	Working Speed RPM 工作转速 转/分		Input Power 输入功率 KW
				Max 最高	Min 最低	
27.5	3/4	23	28	2500	600	29.3
32.1	7/8	23	28	2500	600	34.2
36.7	1	23	28	2500	600	39.1
41.3	1-1/8	23	28	2500	600	44.0
45.9	1-1/4	23	28	2500	600	48.9
50.5	1-3/8	23	28	2500	600	53.7
55.1	1-1/2	23	28	2500	600	58.6
59.7	1-5/8	23	28	2500	600	63.5
64.2	1-3/4	23	28	2500	600	68.4
68.8	1-7/8	23	28	2500	600	73.3
73.4	2	23	28	2500	600	78.2
78.0	2-1/8	23	28	2500	600	83.1
82.6	2-1/4	23	28	2500	600	87.9
87.2	2-3/8	23	28	2500	600	92.8
91.8	2-1/2	23	28	2500	600	97.7
100.9	2-3/4	23	28	2500	600	107.5

## 齿轮马达 Gear Motors

Displacement 排量 ml/rev	Gear Width 齿宽 Inch 英寸	Rated Pressure 额定压力 MPa	Max Pressure 最高压力 MPa	Working Speed RPM 工作转速 转/分		Output Torque 输出扭矩 N-m
				Max 最高	Min 最低	
27.5	3/4	23	28	2500	600	90.7
32.1	7/8	23	28	2500	600	105.9
36.7	1	23	28	2500	600	121.0
41.3	1-1/8	23	28	2500	600	136.1
45.9	1-1/4	23	28	2500	600	151.2
50.5	1-3/8	23	28	2500	600	166.4
55.1	1-1/2	23	28	2500	600	181.5
59.7	1-5/8	23	28	2500	600	196.6
64.2	1-3/4	23	28	2500	600	211.7
68.8	1-7/8	23	28	2500	600	226.9
73.4	2	23	28	2500	600	242.0
78.0	2-1/8	23	28	2500	600	257.1
82.6	2-1/4	23	28	2500	600	272.2
87.2	2-3/8	23	28	2500	600	287.4
91.8	2-1/2	23	28	2500	600	302.5
100.9	2-3/4	23	28	2500	600	332.7

Permco USA  
1500 Frost Road  
P. O. Box 2068  
Streetsboro, Ohio 44241  
www.permco.com  
E-mail: info@permco.com

Permco (TianJin) Hydraulic Inc., Ltd.  
泊姆克(天津)液压有限公司  
#151 Jingsi Road, Airport Economic Area  
空港经济区经四路151号  
TianJin, China PC: 300308  
中国天津 邮编300308

Tel: 022-25761959  
Fax: 022-25767035, 25761939  
www.permcotj.com  
E-mail: permco@permcotj.com  
info: technic@permcotj.com

Permco TianJin Fluidpower Mfg. Co. Ltd.  
泊姆克天津流体动力制造有限公司  
Fenghua Industrial Park 9th Avenue  
第九大街丰华工业园  
TEDA, China PC: 300457  
中国天津经济技术开发区 邮编300457