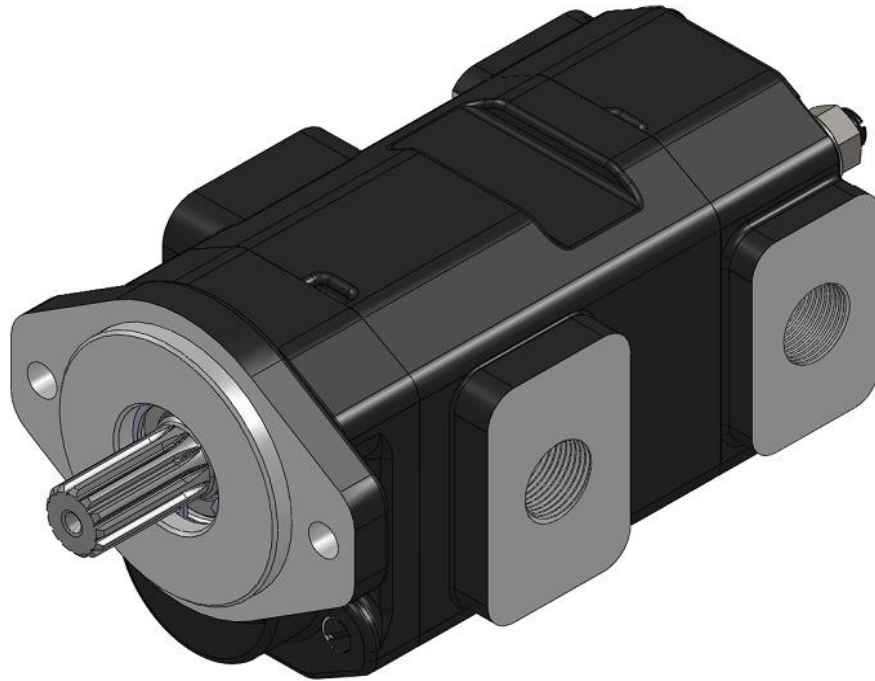


PERMCO

HPT1 TERRA

高压小排量滑动轴承齿轮泵

HIGH PRESSURE SMALL DISPLACEMENT SLEEVE BUSHING PUMPS



齿轮泵特点

GEAR PUMP FEATURES

特点

- 本系列最高压力可达25MPa
- 排量从4.5至45.2ml/r
- 两体式设计，结构更加紧凑
- 行业领先的产品性能，提供极高可靠性和更长工作寿命
- 独有专利技术的结构设计，带来低于行业标准的噪音
- 国际化先进试验及检验标准，严格控制产品质量，100%出厂检验
- 泵有多种联接形式，联接尺寸符合SAE标准
- 可按用户要求设计成单联泵和多联泵

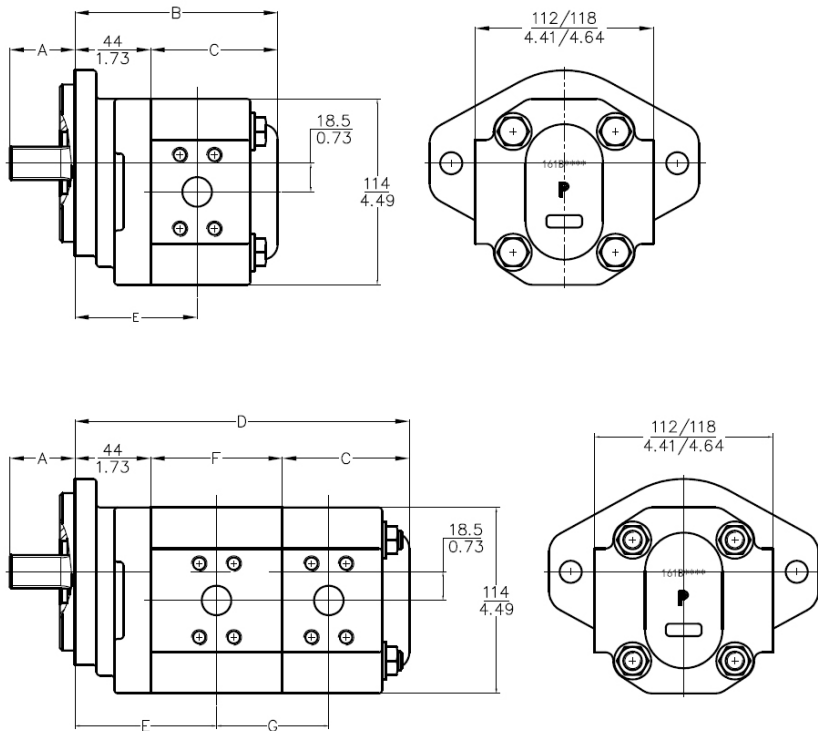
FEATURES

- Maximum pressure up to 3625 PSI
- Cubic inch displacement from 0.27 through 2.76
- Split in two construction, more compact structure
- Unique and patented structural design plan, leads to lower noise below industry standards
- High strength alloy steel gear shafts greatly advanced the operating pressure grade
- Strictly check product quality with international advanced test standard inspection standard 100% factory inspection
- A wide range of porting, mounting and shaft options available for SAE and European standards
- Customized single and multiple unit options available



The Sensible Choice

HPT1系列尺寸数据(mm/in) DIMENSIONAL DATA (mm/in)



- A. SAE "B" shaft shown, other shafts available
图示为SAE "B"轴伸, 轴伸型式有多种选择
- B. 4.17" plus gear width
106 mm 加齿轮宽度
- C. 2.24" plus gear width
57 mm 加齿轮宽度
- D. 7.28" plus gear width
185 mm 加齿轮宽度
- E. 1.93" plus oil port position
49 mm 加油口位置尺寸
- F. 3.11" plus gear width
79 mm 加齿轮宽度

性能 PERFORMANCE

齿轮泵 Gear Pumps

Displacement 排量 ml/rev	Gear Width 齿宽 Inch 英寸	Rated Pressure 额定压力 MPa	Max Pressure 最高压力 MPa	Working Speed RPM 工作转速 转/分		Input Power 输入功率 KW
				Max 最高	Min 最低	
4.5	1/4	20	25	3000	600	5.0
6.8	3/8	20	25	3000	600	7.6
9	1/2	20	25	3000	600	10.0
11.3	5/8	20	25	3000	600	12.6
13.6	3/4	20	25	3000	600	15.1
15.8	7/8	20	25	3000	600	17.6
18.1	1	20	25	3000	600	20.1
20.3	1-1/8	20	25	3000	600	22.6
22.6	1-1/4	20	25	3000	600	25.1
24.8	1-3/8	20	25	3000	600	27.6
27.1	1-1/2	20	25	3000	600	30.1
29.4	1-5/8	20	25	3000	600	32.7
31.6	1-3/4	20	25	3000	600	35.1
33.9	1-7/8	20	25	3000	600	37.7
36.1	2	20	25	3000	600	40.1
38.4	2-1/8	20	25	3000	600	42.7
40.7	2-1/4	20	25	3000	600	45.2
42.9	2-3/8	20	25	3000	600	47.7
45.2	2-1/2	20	25	3000	600	50.2

Permco USA
1500 Frost Road
P. O. Box 2068
Streetsboro, Ohio 44241
www.permco.com
E-mail: info@permco.com
Copyright © 2023

Permco (TianJin) Hydraulic Inc., Ltd.
泊姆克(天津)液压有限公司
#151 Jingsi Road, Airport Economic Area
空港经济区经四路151号
TianJin, China PC: 300308
中国天津 邮编300308

Tel: 022-25761959
Fax: 022-25767035, 25761939
www.permcotj.com
E-mail: permco@permcotj.com
info: technic@permcotj.com

Permco TianJin Fluidpower Mfg. Co. Ltd.
泊姆克天津流体动力制造有限公司
Fenghua Industrial Park 9th Avenue
第九大街丰华工业园
TEDA, China PC: 300457
中国天津经济技术开发区 邮编300457