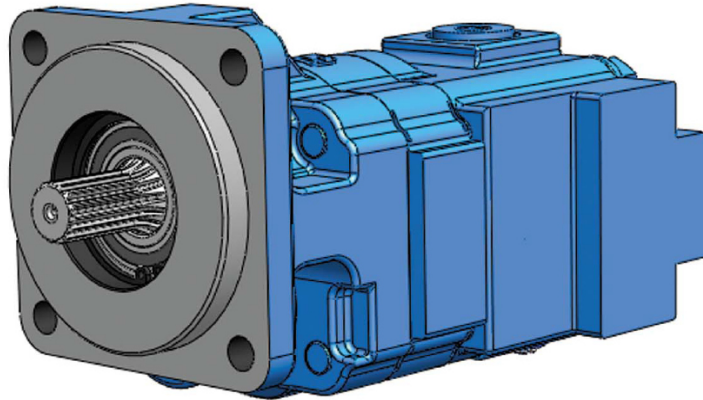




257 [PFRV] 系列

257系列流量优先泵

257 PRIORITY FLOW CONTROL /RELIEF VALVE COVER SMALL BUSHING SERIES



流量优先泵特点

- 主油口恒流流量可选范围从5到30 GPM(18.93到113.55升)
- 主油口安全阀可调压力最高到3625 PSI (25MPa)
- 当主油口压力超过安全阀调定压力时，全部流量提供给次油口
- 次油口流量可用来为系统提供压力油或直接流回油箱
- 高强度合金钢齿轮和齿轮轴
- 优先阀与后盖集成于一体，且可安装内嵌式安全阀，使泵的结构紧凑，体积小，质量轻。
- 在整个工作过程中，压力平衡耐磨侧板使泵始终保持高效率输出
- 销轴联接的高强度铸铁结构
- 油口、安装形式和轴伸有多种设计可供选择
- 排量从18.93至113.55 ml/r
- 次油口工作压力可达4000PSI (28MPa)
- 工作转速可达2500r/min
- 100%出厂检验

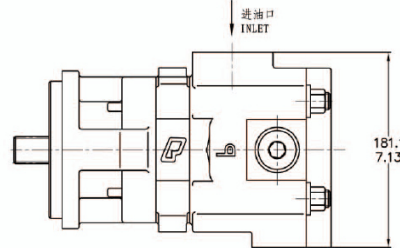
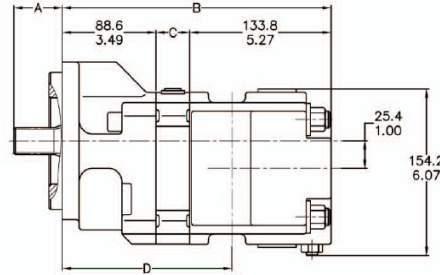
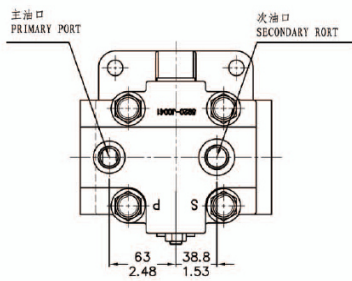
PRIORITY FLOW CONTROL /RELIEF VALVE COVER FEATURES

- Primary port flow range from 5 to 30 GPM
- Relief valve adjustable pressure up to 3625 PSI
- All flow apply to secondary port when primary pressure exceed the relief setting value
- Secondary flow could apply to other applications or directly back to tank
- High strength alloyed steel gears and shafts
- Built-in priority flow control valve & optional relief valve allow the pump to be compact size and lighter weight
- Anti-wear pressure compensate thrust plate allows the pump output at high efficiency during the entire operation time
- Iron cast material of high strength with dowel pin connections structure
- Various options for porting, flange mounting and shaft type
- Displacement range from 18.93 to 113.55 ml/r
- Secondary port working pressure up to 4000 PSI
- Working speed up to 2500 r/min
- 100% delivery test

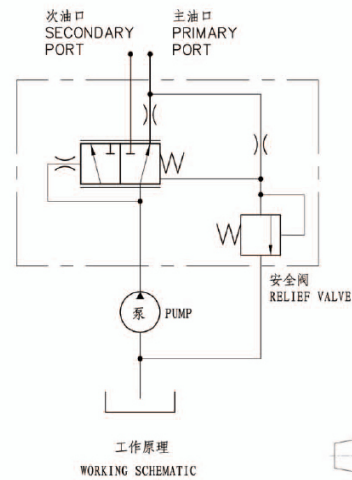


The Sensible Choice

257系列尺寸数据 (mm/in) DIMENSIONAL DATA (mm/in)



- A. SAE C shaft shown, other shafts available.
图示为SAE C轴伸, 轴伸型式有多种选择。
- B. 9.26" plus gear width.
235.1mm+齿轮宽度。
- C. .5" plus gear width.
12.7mm+齿轮宽度。
- D. 5.31" plus gear width.
134.9mm+齿轮宽度。



性能 PERFORMANCE

齿轮泵 Gear Pumps

Displacement 排量	Gear Width 齿宽	Rated Pressure 额定压力	Max Pressure 最高压力	Working Speed 工作转速		Input Power 输入功率
				RPM 转/分	RPM 转/分	
ml/rev	Inch 英寸	MPa	MPa	Max 最高	Min 最低	KW
21.1	1/2"	28	31	2500	600	25.9
31.6	3/4"	28	31	2500	600	38.8
42.1	1"	28	31	2500	600	51.7
52.6	1-1/4"	28	31	2500	600	64.6
63.2	1-1/2"	25	28	2500	600	69.3
73.7	1-3/4"	21	25	2500	600	67.9
84.2	2"	21	25	2500	600	77.6
94.8	2-1/4"	18	21	2500	600	74.8
105.3	2-1/2"	18	21	2500	600	83.1

如型号: P (T) 257A367PVEDFLFZA15-6

P: 泵 PUMP

系列号 SERIES

A: 单泵 SINGLE PUMP

B: 多联泵

TANDEM GEAR PUMPS

C: 接轴泵

CONNECT SHAFT PUMP

前盖 SHAFT END COVER

12345

轴伸 SHAFT

ZA: 油口代号 PORT CODE

15: 1.5"齿宽 GEAR WIDTH

流量优先阀

PRIORITY FLOW VALVE

后盖 PORT END COVER

PV (1) (2) (3) (4) (5)

PV: 优先流量控制

(1): 进油口代号

(2): 主油口代号

(3): 次油口代号

(4): 优先流量代号

(5): 安全阀调定压力代号

PV (1) (2) (3) (4) (5)

PV: Priority Valve Cover

(1): Inlet Port

(2): Primary Port

(3): Secondary Port

(4): Priority Flow Rate in GPM

(5): Relief Valve Setting

Permco USA
1500 Frost Road
P.O. Box 2068
Streetsboro, Ohio 44241
www.permco.com
E-mail: info@permco.com

Permco (TianJin) Hydraulic Inc., Ltd.
泊姆克(天津)液压有限公司
#151 Jingsi Road, Airport Economic Area
空港经济区经四路151号
TianJin, China PC: 300308
中国天津 邮编300308

Tel: 022-25761959
Fax: 022-25767035, 25761939
www.permcotj.com
E-mail: permco@permcotj.com
info: technic@permcotj.com

Permco TianJin Fluidpower Mfg. Co. Ltd.
泊姆克天津流体动力制造有限公司
Fenghua Industrial Park 9th Avenue
第九大街丰华工业园
TEDA, China PC: 300457
中国天津经济技术开发区 邮编:300457